

## Product Highlights

### Latest Wireless AC Technology

Enjoy the benefits of high speed wireless and increased range thanks to the latest draft 802.11ac wireless technology

### All-Day HD Surveillance

A built-in white light LED let you monitor an area 24 hours a day with full color 720p HD resolution images, even in areas with low light or complete darkness

### mydlink-enabled Cloud Access

Easy remote viewing and management of your camera on your mobile device or through the mydlink website



## DCS-2136L

# Wireless AC Day/Night Camera with Color Night Vision

## Features

### Camera

- Sony Exmor 1/3" Megapixel CMOS progressive sensor
- Fixed lens: 3.6 mm F1.4
- Built-in white LED for low light surveillance with color image capability
- Passive infrared (PIR) sensor for enhanced motion detection
- Digital zoom magnifies image area up to 10 times
- Built-in microphone and speaker for 2-way communication
- ONVIF compliant
- Wide Dynamic Range (WDR) provides properly exposed video even under backlit conditions

### Connections

- 802.11ac wireless connectivity
- 10/100 Fast Ethernet port
- Micro SD/SDHC Card slot for onboard storage
- DI/DO port for connection to external devices

### Image & Video

- HD resolution (1280 x 720)
- H.264, MPEG-4 and Motion JPEG compression
- ePTZ viewing
- Simultaneous multi-stream support
- Privacy Mask feature

The DCS-2136L Wireless AC Day/Night Camera with Color Night Vision is a mydlink-enabled IP surveillance camera that lets you monitor around the clock with vibrant color images, even in low light environments. It helps you keep an eye on your home or office, even when you're away.

## 24/7 HD Surveillance for Your Home or Office

The DCS-2136L is built with a megapixel image sensor to give you high-quality snapshots and video with resolutions up to 720p HD. This gives you sharp, high-resolution snapshots and videos with rich detail. Get a closer look with ePTZ, which lets you zoom in, zoom out, and pan across your camera's video so you can survey a large area easily.

A high powered white light LED is also built into the DCS-2136L, which helps to illuminate areas with low or no light and provides vibrant color images. Combined with the passive IR sensor which can be used to trigger the white light LED, the DCS-2136L makes an affordable surveillance and security monitoring device.

## Anywhere Access with mydlink

The Wireless AC Day/Night Camera with Color Night Vision is mydlink-enabled, which means that you can access and configure your camera remotely, no matter where you are. See your camera's live view through the mydlink website, or download the mydlink mobile app and view your camera directly on your iOS or Android mobile device. Keep an eye on your home while you're at work, or check on the office when you're out on the road; mydlink makes it all possible.

## Zero Configuration

If you have a mydlink-enabled Cloud Router, setting up and configuring your DCS-2136L is a snap, thanks to Zero Configuration. Simply connect your camera to its power adapter and then connect your camera to your Cloud Router with an Ethernet cable - the camera will automatically be added to your account. mydlink does the hard work for you, allowing even novice users to set up and use their mydlink-enabled cameras immediately.

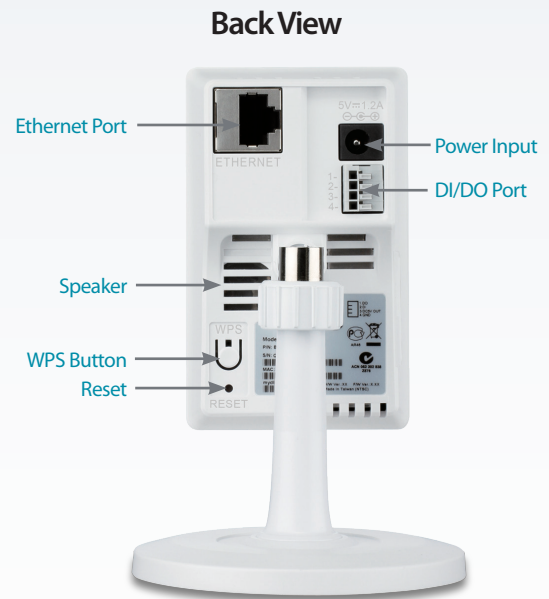
### Built for Versatility

The DCS-2136L comes with a wealth of features that enhance its surveillance capabilities, making it ideal for any situation. A passive infrared (PIR) sensor detects motion near the camera, allowing it to automatically record video and send you a notification when motion is detected. A built-in microphone and speaker allow for 2-way communication, which is ideal for use in entryways or for caretaker applications. It even includes 802.11ac wireless connectivity, allowing it to be placed anywhere easily without requiring cabling to be installed.

### A Complete, Expandable Surveillance Solution

The DCS-2136L is a self-sufficient surveillance solution, capable of recording snapshots and video to a MicroSD card without requiring a PC or network storage device.

If you want to expand your surveillance options, D-ViewCam management software is also included, giving you the ability to manage up to 32 cameras with a robust set of features, including multi-camera views and automated e-mail alerts to keep you informed of suspicious or unusual activities.



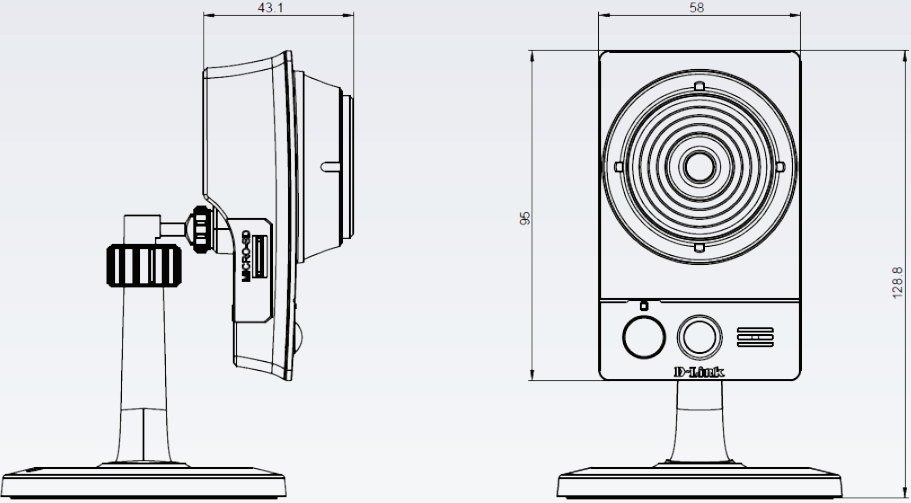
### Technical Specifications

#### Camera

Camera Hardware Profile	<ul style="list-style-type: none"> <li>• 1/3" Megapixel progressive CMOS sensor</li> <li>• Focal length: 3.6 mm</li> <li>• Aperture: F1.4</li> <li>• Angle of view:               <ul style="list-style-type: none"> <li>• (H) 64°</li> <li>• (V) 46.5°</li> <li>• (D) 92.4°</li> </ul> </li> </ul>	<ul style="list-style-type: none"> <li>• Minimum object distance: 300 mm</li> <li>• Minimum illumination: 0 lux with white light LED on</li> <li>• 5 meter white light illumination distance</li> <li>• Built-in PIR sensor (5 meter range)</li> <li>• Built-in microphone and speaker</li> <li>• 10x digital zoom</li> </ul>
Image Features	<ul style="list-style-type: none"> <li>• Configurable image size, quality, frame rate, and bit rate</li> <li>• Time stamp and text overlays</li> <li>• Configurable motion detection windows</li> </ul>	<ul style="list-style-type: none"> <li>• Configurable privacy mask zones</li> <li>• Configurable shutter speed, brightness, saturation, contrast, sharpness, and WDR</li> </ul>
Video Compression	<ul style="list-style-type: none"> <li>• Simultaneous H.264/MPEG-4/MJPEG format compression</li> <li>• H.264/MPEG-4 multicast streaming</li> </ul>	<ul style="list-style-type: none"> <li>• JPEG for still images</li> </ul>
Video Resolution	<ul style="list-style-type: none"> <li>• 16:9 - 1280 x 720, 800 x 450, 640 x 360, 480 x 270, 320 x 176 up to 30 fps recording<sup>1</sup></li> </ul>	<ul style="list-style-type: none"> <li>• 4:3 - 1024 x 768, 800 x 600, 640 x 480, 480 x 360, 320 x 240 up to 30 fps recording<sup>1</sup></li> </ul>
Audio Support	<ul style="list-style-type: none"> <li>• AAC</li> </ul>	<ul style="list-style-type: none"> <li>• G.711</li> </ul>
External Device Interfaces	<ul style="list-style-type: none"> <li>• 10/100 BASE-TX Fast Ethernet port</li> <li>• 802.11ac wireless</li> </ul>	<ul style="list-style-type: none"> <li>• DI/DO port</li> <li>• MicroSD/SDHC card slot<sup>2</sup></li> </ul>

Network		
Network Protocols	<ul style="list-style-type: none"> <li>• IPv6</li> <li>• IPv4</li> <li>• TCP/IP</li> <li>• UDP</li> <li>• ICMP</li> <li>• DHCP client</li> <li>• NTP client (D-Link)</li> <li>• DNS client</li> <li>• DDNS client (D-Link)</li> <li>• SMTP client</li> <li>• FTP client</li> <li>• HTTP / HTTPS</li> </ul>	<ul style="list-style-type: none"> <li>• Samba client</li> <li>• PPPoE</li> <li>• UPnP port forwarding</li> <li>• RTP / RTSP / RTCP</li> <li>• IP filtering</li> <li>• QoS</li> <li>• CoS</li> <li>• Multicast</li> <li>• IGMP</li> <li>• SNMP</li> <li>• ONVIF compliant</li> </ul>
Security	<ul style="list-style-type: none"> <li>• Administrator and user group protection</li> <li>• Password authentication</li> </ul>	<ul style="list-style-type: none"> <li>• HTTP and RTSP authentication</li> </ul>
System Management		
System Requirements for Web Interface	<ul style="list-style-type: none"> <li>• Browser: Internet Explorer, Firefox, Safari, or Chrome</li> </ul>	
Event Management	<ul style="list-style-type: none"> <li>• Motion detection</li> <li>• Event notification and uploading of snapshots/video clips via e-mail or FTP</li> </ul>	<ul style="list-style-type: none"> <li>• Supports multiple SMTP and FTP servers</li> <li>• Multiple recording methods for easy backup</li> </ul>
Remote Management	<ul style="list-style-type: none"> <li>• Take snapshots/video clips and save to local hard drive via web browser</li> </ul>	<ul style="list-style-type: none"> <li>• Configuration interface accessible via web browser</li> </ul>
Mobile Support	<ul style="list-style-type: none"> <li>• mydlink Lite/mydlink+ mobile app for iPhone, iPad, and Android mobile devices</li> </ul>	
D-ViewCam™ System Requirements	<ul style="list-style-type: none"> <li>• Operating System: Microsoft Windows 8/7/Vista/XP</li> <li>• Web Browser: Internet Explorer 7 or higher</li> </ul>	<ul style="list-style-type: none"> <li>• Protocol: Standard TCP/IP</li> </ul>
D-ViewCam™ Software Functions	<ul style="list-style-type: none"> <li>• Remote management/control of up to 32 cameras</li> <li>• Viewing of up to 32 cameras on one screen</li> </ul>	<ul style="list-style-type: none"> <li>• Supports all management functions in web interface</li> <li>• Scheduled motion triggered, or manual recording options</li> </ul>
Physical		
Weight	<ul style="list-style-type: none"> <li>• Device: 84.0g (without stand) ± 5%</li> </ul>	<ul style="list-style-type: none"> <li>• Stand: 45.0g ± 5%</li> </ul>
External Power Adapter	<ul style="list-style-type: none"> <li>• Input: 100 to 240 V AC, 50/60 Hz</li> </ul>	<ul style="list-style-type: none"> <li>• Output: 5 V DC, 1.2 A 50/60 Hz</li> </ul>
Power Consumption	<ul style="list-style-type: none"> <li>• 4.5 watts max. ± 5%</li> </ul>	
Temperature	<ul style="list-style-type: none"> <li>• Operating: 0 to 40 °C (32 to 104 °F)</li> </ul>	<ul style="list-style-type: none"> <li>• Storage: -20 to 70 °C (-4 to 158 °F)</li> </ul>
Humidity	<ul style="list-style-type: none"> <li>• Operating: 20% to 80% non-condensing</li> </ul>	<ul style="list-style-type: none"> <li>• Storage: 5% to 95% non-condensing</li> </ul>
Certifications	<ul style="list-style-type: none"> <li>• CE</li> <li>• CE LVD</li> </ul>	<ul style="list-style-type: none"> <li>• FCC Class B</li> <li>• C-Tick</li> </ul>

# DCS-2136L Wireless AC Day/Night Camera with Color Night Vision

Dimensions	 <p>The image contains two technical drawings of the DCS-2136L camera. The left drawing is a side view showing the camera's profile, with a dimension line indicating a width of 43.1. The right drawing is a front view showing the camera's face, with a dimension line indicating a width of 58 and a height of 128.8. The camera has a cylindrical lens assembly at the top, a microphone grille below it, and a D-Link logo at the bottom of the front panel. The camera is mounted on a stand with a base.</p>
Order Information	
<i>Part Number</i>	<i>Description</i>
DCS-2136L	Wireless AC Day/Night Camera with Color Night Vision

<sup>1</sup> Frame rates when streaming video may vary depending on network conditions and method used.

<sup>2</sup> A SDHC Class 6 card or above is recommended. Supports card capacities up to 32GB.

Updated 2013/12/11